



Product Certificate Number	20321-CER
Applicant	TGB Group c/ L'Alsina. Parcela 37, nave 3. Polígono Industrial La Masia 08798. Barcelona, Spain.
Model	TVR300-Z10; motor XD053
Type of unit	Slew drive system for solar tracker
Technical Data	See page 2
International Standard	IEC 62817:2014 + A1:2017 Photovoltaic systems – Design qualification of solar trackers.

Having assessed the test report number: 20321-TR performed by Certification Entity for Renewable Energies based on the requirements of the ISO/IEC 17025.

The above-mentioned solar tracker complies with the requirements of the Chapter 8.5 Environmental testing from IEC 62817:2014 + A1:2017 Photovoltaic systems – Design qualification of solar trackers.

This certification is according the CERE internal process PE.T-CERE-09 Rev17 based on the requirements of the EN ISO/IEC 17065:2012. For this certification process the conformity assessment activities were based on:

- Testing of production samples selected by CERE.
- Audit of quality system according ISO9001 with certificate number 12 100 42716 TMS issued by a certification body accredited according EN ISO/IEC 17021.
- Inspection of the manufacturing process.

Madrid, at 18th of November of 2019. This certificate is valid until 18th of November of 2022

Miguel Martínez
Certification Manager

Variant models

Slew drive:

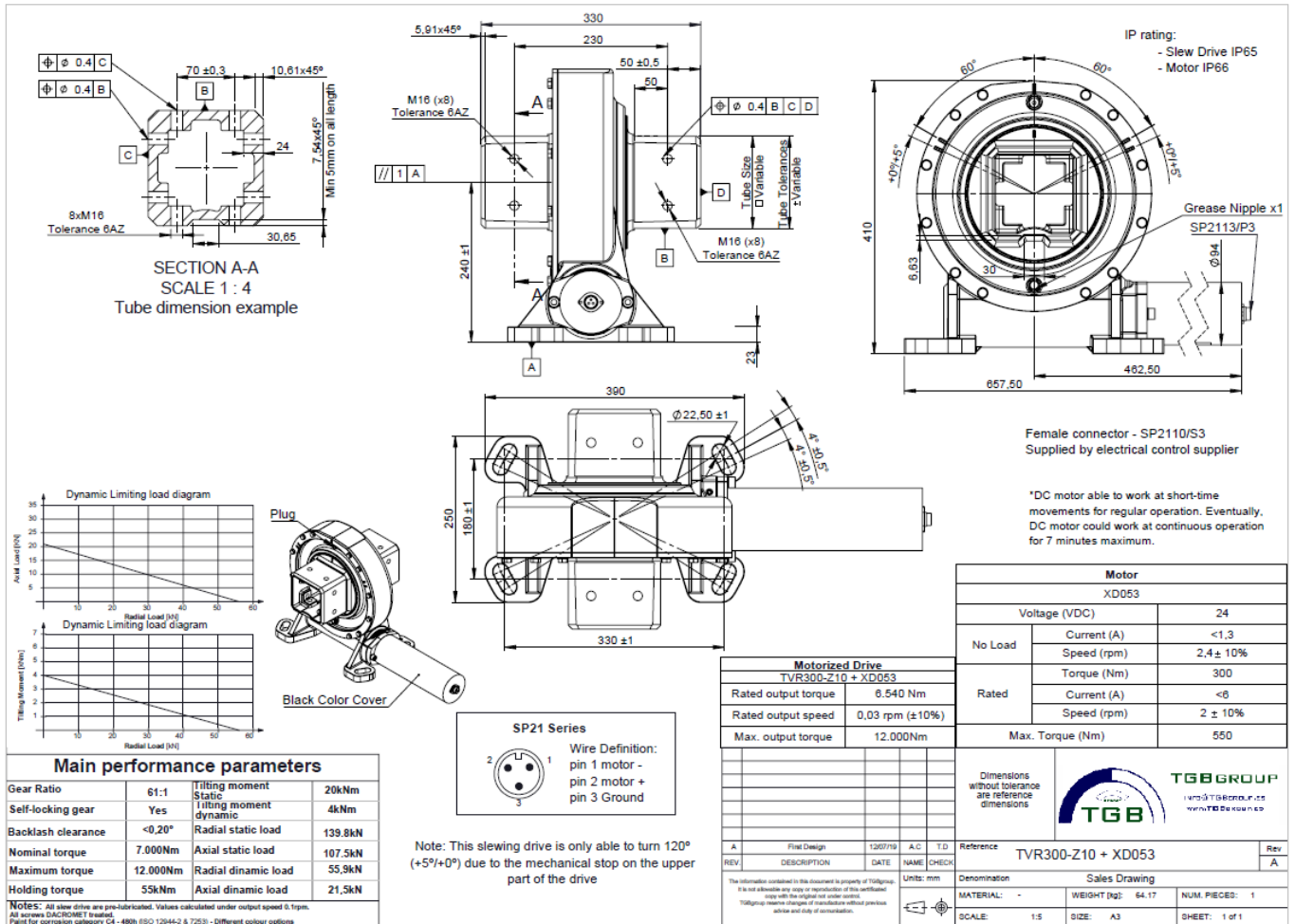
TVR300 – Z11	TVR300 – Z12	TVR300 – Z13	TVR300 – Z14
--------------	--------------	--------------	--------------

Motor:

XD071	XD074	XD075
XD076	XD079	XD080

Drawing

TVR300-Z10 + XD053



The inspection of manufacturing process was performed on:
July 5th of 2019

Inspection Report Number:

TGB Group
c/ L'Alsina. Parcela 37, nave 3.
Polígono Industrial La Masia
08798. Barcelona, Spain.
20065-19-1-IF